

# COMTELCO

## Technical Specification

**B25247PW**

**2400-2500 MHz**

**2.4 GHz PANEL ANTENNA**

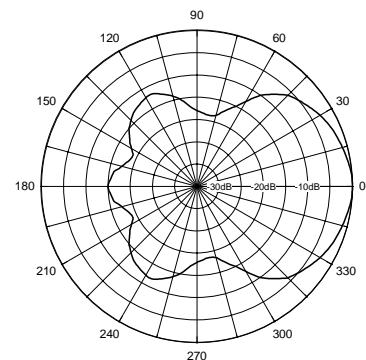
**Performance:** Directional antenna for the 2400 thru 2500MHz band providing 7.5dBi gain.

**Stylish and Durable:** These antennas are manufactured using the finest materials available. They provide great performance in a stylish package. All the plastic parts are molded using ABS material.

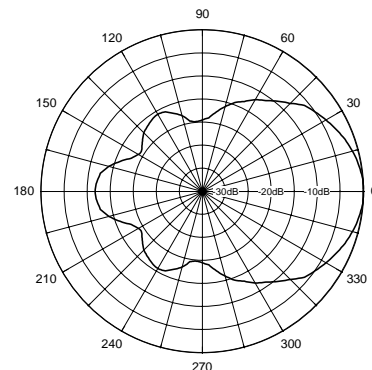
**Mounting:** Multiple mounting options are available. These include conventional wall type mounting plates as well as special mounts that interface with NMO/TAD type mobile mounts.



**Horizontal Pattern**



**Vertical Pattern**



### **ELECTRICAL SPECIFICATIONS:**

<b>FREQUENCY RANGE:</b>	2400-2500MHz
<b>GAIN:</b>	7.5 dBi (5.5 dBd)
<b>FRONT TO BACK:</b>	18dB
<b>VSWR:</b>	<2:1
<b>VERT BEAM WIDTH:</b>	50°
<b>HORIZ BEAM WIDTH</b>	55°
<b>IMPEDANCE:</b>	50 ohms
<b>POWER RATING:</b>	100 watts

### **MECHANICAL SPECIFICATIONS:**

<b>RADOME:</b>	ABS
<b>COLOR:</b>	Off white
<b>CABLE:</b>	8" Teflon low loss
<b>THICKNESS:</b>	1 1/2"
<b>MOUNTING:</b>	Wall Plate
<b>DIAMETER:</b>	4 1/4"
<b>FLAT PLATE AREA:</b>	.1406 ft <sup>2</sup>
<b>WIND RATING:</b>	125 MPH
<b>WIND LOAD:</b>	9.5 lbs.