

COMTELCO

Technical Specification

B26193CM

1850-1990 MHz 3.5 dBi

CEILING MOUNT OMNI ANTENNA

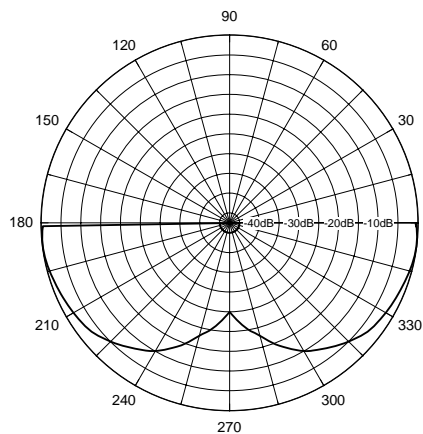
Performance: Omni-directional antenna for the 1850 thru 1990MHz band providing 3.5 dBi gain.

Stylish and Durable: These antennas are manufactured using the finest materials available. They provide great performance in a stylish package. The radome is injection molded white ABS material.

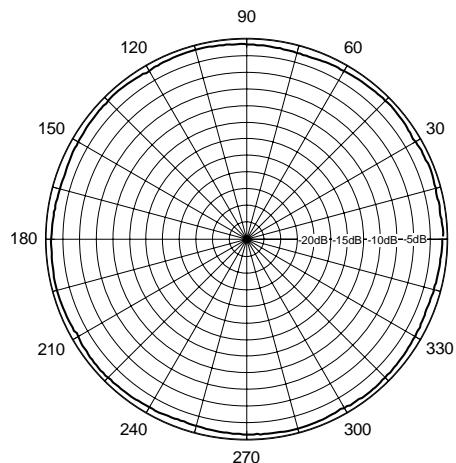
Mounting: This antenna mounts easily through standard ceiling tile using a 3/8" hole. It terminates with a 12" Teflon pigtail with a choice of connectors.



Vertical Pattern



Horizontal Pattern



ELECTRICAL SPECIFICATIONS:

FREQUENCY RANGE:	1850-1990MHz
GAIN:	3.5 dBi
VSWR:	1.5:1
VERT BEAM WIDTH:	60°
HORIZ BEAM WIDTH:	360°
POLARIZATION:	Vertical
IMPEDANCE:	50 ohms
POWER RATING:	100 watts

MECHANICAL SPECIFICATIONS:

RADOME:	ABS, UV
COLOR:	White
TERMINATION:	12" Teflon low loss Choice of connectors
RADOME THICKNESS:	3/4"
MOUNTING:	Through ceiling 3/8" hole
OVERALL SIZE:	4 1/2" x 4 1/2"