

# COMTELCO

## Technical Specification

B26243CM

2400-2500 MHz 3.5 dBi

CEILING MOUNT OMNI ANTENNA

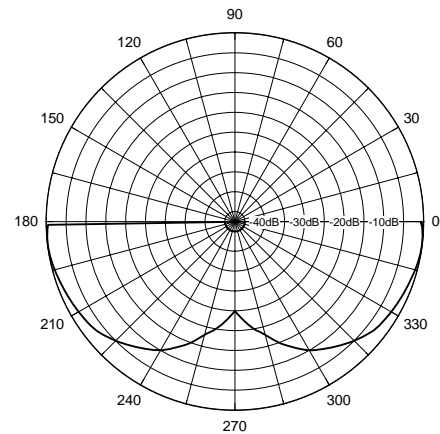
**Performance:** Omni-directional antenna for the 2400 thru 2500MHz band providing 3.5 dBi gain.

**Stylish and Durable:** These antennas are manufactured using the finest materials available. They provide great performance in a stylish package. The radome is injection molded white ABS material.

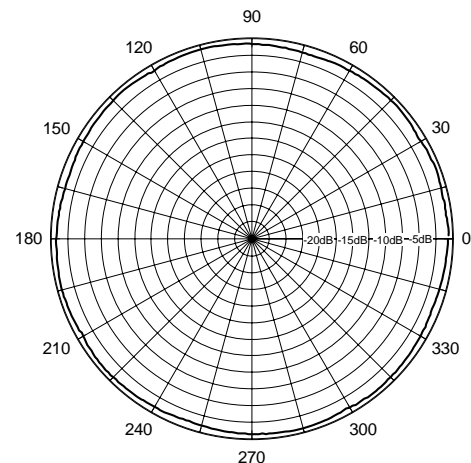
**Mounting:** This antenna mounts easily through standard ceiling tile using a 3/8" hole. It terminates with a 12" Teflon pigtail with a choice of connectors.



**Vertical Pattern**



**Horizontal Pattern**



### ELECTRICAL SPECIFICATIONS:

**FREQUENCY RANGE:** 2400-2500MHz  
**GAIN:** 3.5 dBi  
**VSWR:** 1.5:1  
**VERT BEAM WIDTH:** 60°  
**HORIZ BEAM WIDTH:** 360°  
**POLARIZATION:** Vertical  
**IMPEDANCE:** 50 ohms  
**POWER RATING:** 100 watts

### MECHANICAL SPECIFICATIONS:

**RADOME:** ABS, UV  
**COLOR:** White  
**TERMINATION:** 12" Teflon low loss  
Choice of connectors  
**RADOME THICKNESS:** 3/4"  
**MOUNTING:** Through ceiling 3/8" hole  
**OVERALL SIZE:** 4 1/2" x 4 1/2"