

COMTELCO

Technical Specification

B26247

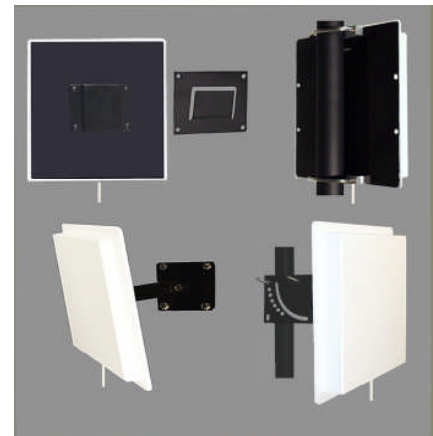
2400-2500 MHz 7.5 dBi

2.4 GHz PANEL ANTENNA

Performance: Directional antenna for the 2400 thru 2500MHz band providing 7.5 dBi gain.

Stylish and Durable: These antennas are manufactured using the finest materials available. They provide great performance in a stylish package. All the plastic parts are molded using UV ABS material. All 26 Series panels are supplied with a 12" pigtail.

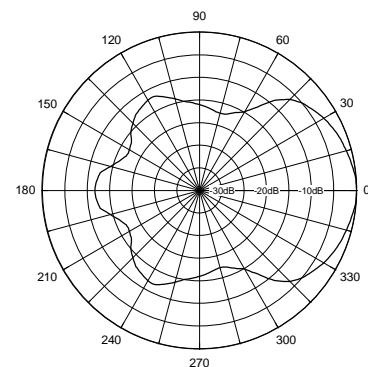
Mounting: Multiple mounting options are available. These include standard Slip mount, V-Bolt with V-Block, Indoor swivel mount and Heavy duty outdoor universal swivel mount.



SPECIFICATIONS:

FREQUENCY RANGE:	2400-2500MHz
GAIN:	7.5 dBi (5.5 dBd)
FRONT TO BACK:	20dB
VSWR:	1.5:1
VERT BEAM WIDTH:	60°
HORIZ BEAM WIDTH:	65°
POLARIZATION:	Vertical
IMPEDANCE:	50 ohms
POWER RATING:	100 watts
RADOME:	ABS, UV
COLOR:	Off white
TERMINATION:	"12" Pigtail "N"
THICKNESS:	3/4"
MOUNTING:	Standard Slip Mount -V V-Bolt & V-Block -SM Indoor swivel mount -HDSM Heavy duty Outdoor swivel mount
OVERALL SIZE:	4 1/2" x 4 1/2"
FLAT PLATE AREA:	.1406 ft ²
WIND RATING:	125 MPH
WIND LOAD:	9.5 lbs.

Horizontal Pattern



Vertical Pattern

