

COMTELCO

Technical Specification

B2697

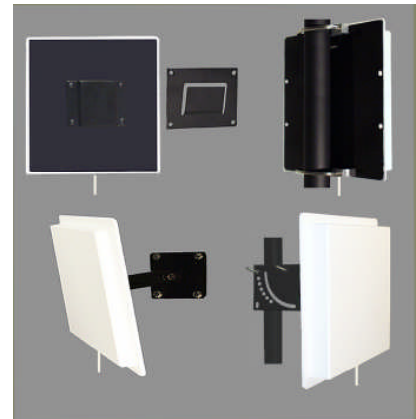
900-930 MHz 7.5 dBi

PANEL ANTENNA

Performance: Directional planar array panel antenna for the 900 thru 930MHz band providing 7.5 dBi gain.

Stylish and Durable: These antennas are manufactured using the finest materials available. They provide great performance in a stylish package. All the plastic parts are molded using UV inhibited ABS material that will give years of service when used inside or outside. All 26 Series panels are supplied with a pigtail.

Mounting: Multiple mounting options are available. These include standard Slip mount, V-Bolt with V-Block, Indoor swivel mount and Heavy duty outdoor universal swivel mount.



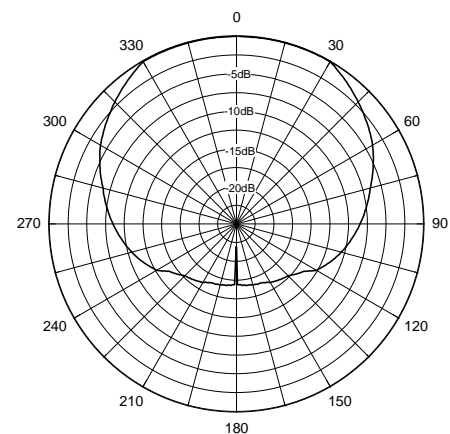
ELECTRICAL SPECIFICATIONS:

FREQUENCY RANGE:	900-930MHz
GAIN:	7.5 dBi (5.5 dBd)
FRONT TO BACK:	20dB
VSWR:	1.5:1
VERT BEAM WIDTH:	65 deg
HORIZ BEAM WIDTH:	65 deg.
POLARIZATION:	Vertical
IMPEDANCE:	50 ohms
POWER RATING:	100 watts

MECHANICAL SPECIFICATIONS:

RADOME:	ABS, UV
COLOR:	Off white
TERMINATION:	"12" Pigtail "N"
THICKNESS:	3/4"
MOUNTING:	Standard Slip Mount
-V	V-Bolt & V-Block
-SM	Indoor swivel mount
-HDSM	Heavy duty Outdoor swivel mount
OVERALL SIZE:	8½" x 8 ½"
FLAT PLATE AREA:	.5017 ft ²
WIND RATING:	125 MPH
WIND LOAD:	33.8 lbs.

Horizontal Pattern



Vertical Pattern

