

COMTELCO

Technical Specification

B36247

2400-2500 MHz 7.5 dBi

2.4 GHz PANEL ANTENNA

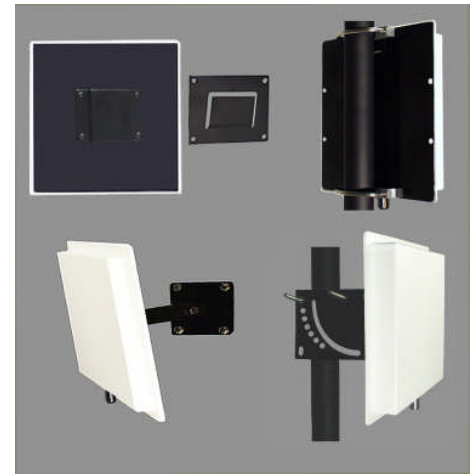
Performance: Directional antenna for the 2400 thru 2500MHz band providing 7.5 dBi gain.

Stylish and Durable: These antennas are manufactured using the finest materials available. They provide great performance in a stylish package. All the plastic parts are molded using UV inhibited ABS material.

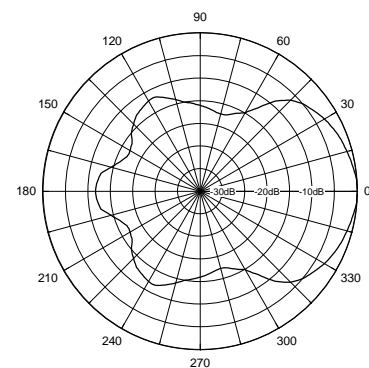
Mounting: Multiple mounting options are available. These include standard Slip mount, V-Bolt with V-Block, Indoor swivel mount and Heavy duty outdoor universal swivel mount.

SPECIFICATIONS:

FREQUENCY RANGE:	2400-2500MHz
GAIN:	7.5 dBi (5.5 dBd)
FRONT TO BACK:	20dB
VSWR:	1.5:1
VERT BEAM WIDTH:	50°
HORIZ BEAM WIDTH:	65°
POLARIZATION:	Vertical
IMPEDANCE:	50 ohms
POWER RATING:	100 watts
RADOME:	ABS, UV
COLOR:	Off white
TERMINATION:	"Direct "N"
THICKNESS:	1 1/2"
MOUNTING:	Standard Slip Mount -V V-Bolt & V-Block -SM Indoor swivel mount -HDSM Heavy duty Outdoor swivel mount
OVERALL SIZE:	4 1/2" x 4 1/2"
FLAT PLATE AREA:	.1406 ft ²
WIND RATING:	125 MPH
WIND LOAD:	9.5 lbs.



Horizontal Pattern



Vertical Pattern

