

COMTELCO

Technical Specification

B3693

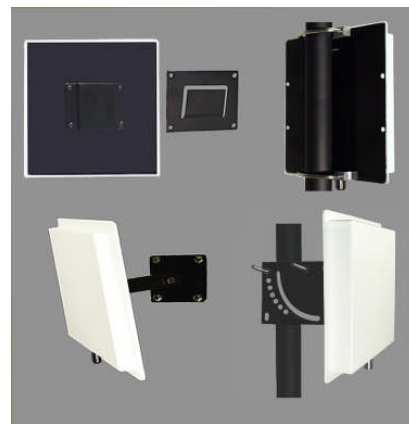
900-930 MHz 3.5 dBi

PANEL ANTENNA

Performance: Directional planar array panel antenna for the 900 thru 930MHz band providing 3.5 dBi gain.

Stylish and Durable: These antennas are manufactured using the finest materials available. They provide great performance in a stylish package. All the plastic parts are molded using UV inhibited ABS material that will give years of service when used inside or outside. The back plate is black powder coated aluminum for excellent durability and mounting stability.

Mounting: Multiple mounting options are available. These include standard Slip mount, V-Bolt with V-Block, Indoor swivel mount and Heavy duty outdoor universal swivel mount.



ELECTRICAL SPECIFICATIONS:

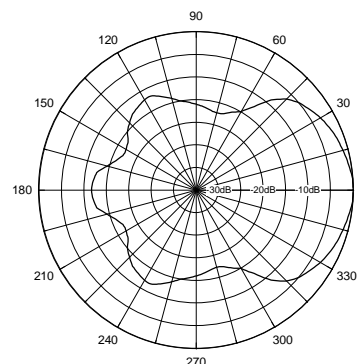
FREQUENCY RANGE: 900-930MHz
GAIN: 3.5 dBi
FRONT TO BACK: 20dB
VSWR: 1.5:1
VERT BEAM WIDTH: 65°
HORIZ BEAM WIDTH: 65°
POLARIZATION: Vertical or Horizontal

IMPEDANCE: 50 ohms
POWER RATING: 100 watts

MECHANICAL SPECIFICATIONS:

RADOME: ABS, UV
COLOR: Off white
TERMINATION: "N" Female
THICKNESS: 1 1/2"
MOUNTING: Standard Slip Mount
-V V-Bolt & V-Block
-SM Indoor swivel mount
-HDSM Heavy duty Outdoor swivel mount
OVERALL SIZE: 4 1/2" x 4 1/2"
FLAT PLATE AREA: .50 ft²
WIND RATING: 125 MPH
WIND LOAD: 33.8 lbs.

Vertical Pattern



Horizontal Pattern

