

698-2700MHz 3dBd/5dBi

CEILING MOUNT ANTENNA

Performance: These antennas provide 3dBd/5dBi gain. They are designed for heavy duty service. They have a power handling capacity of 150 watts. They provide excellent performance over an extremely wide frequency spectrum.

Stylish and Durable: These antennas are manufactured using the finest materials and finishes available. The covers are molded in a white color using UV inhibited ABS plastic. They are available as a special order in black.

Standard Mounting: These antennas are designed to be used as ceiling mount antennas but can be mounted on cabinets or housings for omni-directional operation. Type "N" termination on the end of a 12" Teflon low loss coax is standard. Custom terminations are also available. No ground plane is required for standard operation.



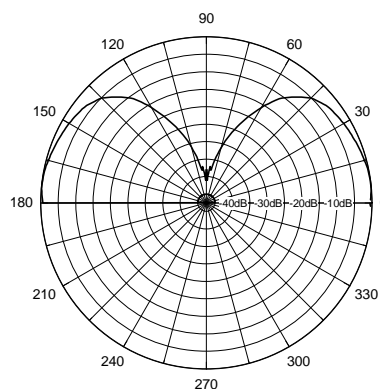
ELECTRICAL SPECIFICATIONS:

FREQUENCY RANGE: 698MHz-2700MHz
GAIN: 3dBd / 5dBi
IMPEDANCE: 50 ohms
POWER RATING: 150 watts
VSWR: <2.0:1

MECHANICAL SPECIFICATIONS:

RADOME: UV inhibited ABS plastic
HEIGHT: 4"
DIAMETER: 6 3/4"
MOUNTING: Type "N" Female 12" Pigtail
COLOR: White

Vertical Pattern



Inverted Vertical Pattern

