

COMTELCO

Technical Specification

BSAX450-6-120

406-512 MHz 6dBd Gain 120° Sector

BASE STATION ANTENNA

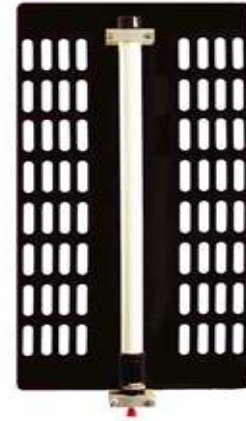
Reliable Performance: Rated at 250 watts and 6dB gain, you can expect years of continuous service. This antenna provides 120° coverage at full gain.

Rugged Construction: The radiating elements are constructed of copper & copper alloy. They are encased in a fiberglass radome for total environmental protection. The assembly is designed to withstand winds of over 125 MPH.

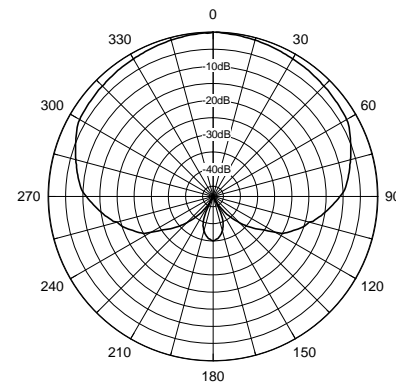
Weatherproof: The fiberglass radome is ultraviolet inhibited. The reflector assembly is epoxy powder coated aluminum for superior weather protection.

Installation: All hardware for installation on an existing 2 ½" diameter mast or tower leg is supplied.

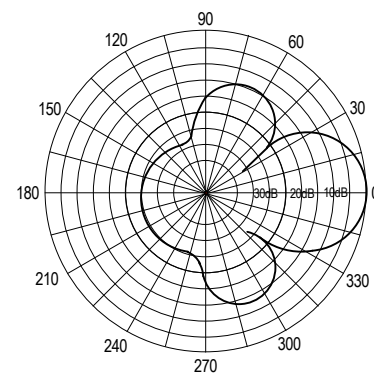
Heavy duty galvanized steel hardware and downtilt hardware options are optional.



Horizontal Pattern



Vertical Pattern



ELECTRICAL SPECIFICATIONS:

FREQUENCY RANGE:

BSAX450-A	406-430MHz
BSAX450-B	430-450MHz
BSAX450-C	450-480MHz
BSAX450-D	470-490MHz
BSAX450-E	490-512MHz

GAIN:	6dBd
VSWR:	<2:1
BANDWIDTH:	>20 MHz
FRONT TO BACK:	>17 dB
POWER RATING:	250 watts
BEAMWIDTH:	Vert: 30 degrees Horiz: 120 degrees
IMPEDANCE:	50 ohms

MECHANICAL SPECIFICATIONS:

RADIATOR:	Internal copper alloy elements
REFLECTOR ASSY:	Powder coated aluminum 37" H x24" W
RADOME:	White UV inhibited fiberglass
TERMINATION:	Female N
LENGTH:	37"
WIDTH:	24"
WEIGHT:	12 lbs.
FLAT PLATE AREA:	2 ft ²
WIND RATING:	125 MPH
LATERAL THRUST:	135 lbs.