

COMTELCO

Technical Specification

BSAX800WB-6-190

806-940 MHz 6dBd Gain 190° Sector

BASE STATION ANTENNA

Reliable Performance: Rated at 250 watts and 6dB gain, you can expect years of continuous service. This antenna uses a 270° reflector to provide 190° coverage..

Rugged Construction: The radiating elements are constructed of copper & copper alloy. They are encased in a fiberglass radome for total environmental protection. The assembly is designed to withstand winds of 125 MPH.

Weatherproof: The fiberglass radome is ultraviolet inhibited. The reflector assembly is epoxy powder coated aluminum for superior weather protection.

Installation: All hardware for installation on an existing 2 ½" diameter mast or tower leg is supplied.



ELECTRICAL SPECIFICATIONS:

FREQUENCY RANGE:

BSAX800WB 806-940MHz

GAIN: 6dBd

VSWR: <2:1

BANDWIDTH: >140 MHz

FRONT TO BACK: >20 dB

POWER RATING: 250 watts

BEAMWIDTH: Vert: 30 degrees
Horiz: 190 degrees

IMPEDANCE: 50 ohms

MECHANICAL SPECIFICATIONS:

RADIATOR: Internal copper alloy elements

REFLECTOR ASSY: Powder coated aluminum 30" H x12" W

RADOME: White UV inhibited fiberglass

TERMINATION: Female N

LENGTH: 25"

WIDTH: 12"

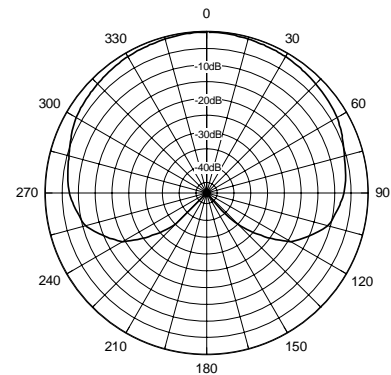
WEIGHT: 12 lbs.

FLAT PLATE AREA: 2 ft²

WIND RATING: 125 MPH

LATERAL THRUST: 135 lbs.

Horizontal Pattern



Vertical Pattern

