

# COMTELCO

## Technical Specification

## BSL2400XL12

### 2400-2500MHz, 12dBd / 14dBi Gain

### BASE STATION ANTENNA

**Reliable Performance:** Rated at 250 watts, you can expect years of continuous service.

**Construction:** The radiating elements are collinear stacked and phased copper alloy tubes. They are encased in a coated fiberglass radome for total environmental protection.

**Weatherproof:** The fiberglass radome is ultraviolet inhibited. The heavy wall aluminum mounting sleeve is epoxy coated for weather protection. It features a complete drain system to provide excellent condensation dissipation.

**Lightweight:** These antennas are lightweight at less than 6 lbs. and are designed to easily withstand winds of over 125 MPH.

**Simple Installation:** Using the optional BSLMNT2 or BSLUMNT2-8 mounting kit, installation takes only minutes.

**Termination:** This antenna is comes with an "N" female termination. Pigtail models with special connectors are available.

**Downtilt Option:** The XL12 comes in a 0° downtilt and -3° downtilt versions.



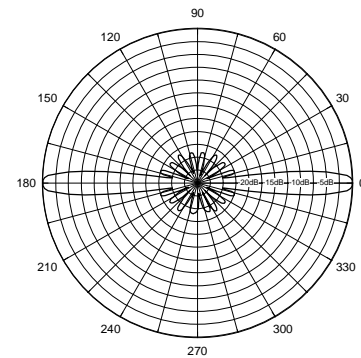
#### ELECTRICAL SPECIFICATIONS:

<b>FREQUENCY:</b>	2400-2500MHz
<b>GAIN:</b>	12dBd / 14dBi
<b>VERTICAL BEAMWIDTH:</b>	8°
<b>BANDWIDTH:</b>	100MHz@ <2:1
<b>POWER RATING:</b>	250 watts
<b>IMPEDANCE:</b>	50 ohms
<b>DOWNTILT:</b>	0° add -0 3° add -3

#### MECHANICAL SPECIFICATIONS:

<b>ANTENNA LENGTH:</b>	60"
<b>WEIGHT:</b>	5 lbs,
<b>RADIATOR:</b>	Copper alloy elements
<b>RADOME:</b>	1.5" White UV inhibited fiberglass
<b>MOUNTING SLEEVE:</b>	Heavy Wall epoxy coated aluminum
<b>SLEEVE DIAMETER:</b>	1.95"
<b>FLAT PLATE AREA:</b>	.44 ft <sup>2</sup>
<b>WIND RATING:</b>	125 MPH
<b>LATERAL THRUST:</b>	19.8 lbs.
<b>TERMINATION:</b>	"N" Female

**Vertical Pattern**



**Vertical Pattern with Downtilt**

