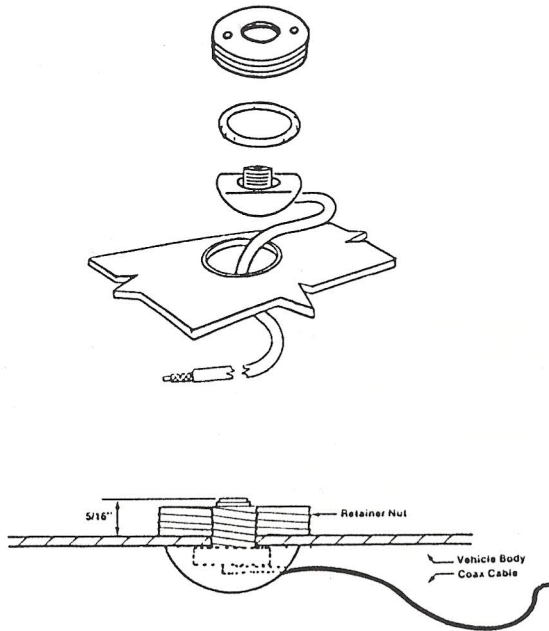


INSTALLATION INSTRUCTIONS FOR COMTELCO "C" MOUNT IN 3/8" OR 3/4" HOLE



Drill a 3/8" or 3/4" hole in the car body at the desired location. Clean any burrs and paint from the area around the edge of the hole.

For a 3/4" hole, route coax from outside the car through the hole. Tilt the mounting assembly at a slight angle and insert it into the hole.

For a 3/8" hole, the assembly must be fed through the underside of the mounting surface. When mounting through a heavy wall material or a fiberglass body the stainless steel saddle should be discarded.

Thread the retaining nut with the "O" ring in position on the stud. Tighten the retaining nut making sure the "O" ring is correctly seated. Make sure the "O" ring becomes compressed enough for the retaining nut to come in contact with the mounting surface.

ANTENNA MOUNTING

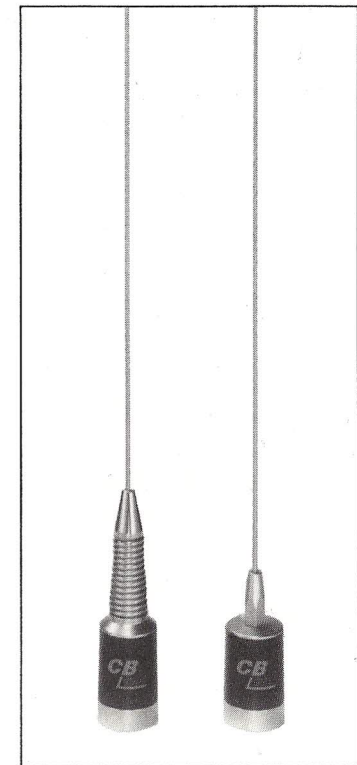
The best performance is always obtained by positioning the antenna at the center of the vehicle roof. Other options include a rear trunk deck or fender. These options do not provide optimum performance but may allow acceptable results.

Most antennas require a good ground plane for optimum performance. Poor ground planes and improper mounting position may cause less than optimum results.

COMTELCO INDUSTRIES INC.
501 MITCHELL RD.
GLENDALE HTS, IL 60139
1-800-634-4622

COMTELCO INDUSTRIES

CB1800 CITIZEN BAND ANTENNA



COMTELCO INDUSTRIES INC.
501 MITCHELL RD.
GLENDALE HTS, IL 60139
1-800-634-4622

COMTELCO CB1800 CITIZEN BAND ANTENNA

The CB1800 is designed to operate efficiently across the entire Citizen Band with no need for fine tuning to a specific frequency.

It is possible to fine tune to either the upper or lower end of the band by raising or lowering the whip in the adapter and tuning for the lowest SWR. This, however, is not normally recommended because it limits the bandwidth of optimum usage.

A cutaway view of the coil assembly shows the basic design that has been used in the development of this fine product. Each antenna is fully tested before shipment from our manufacturing plant in Glendale Heights IL. USA.

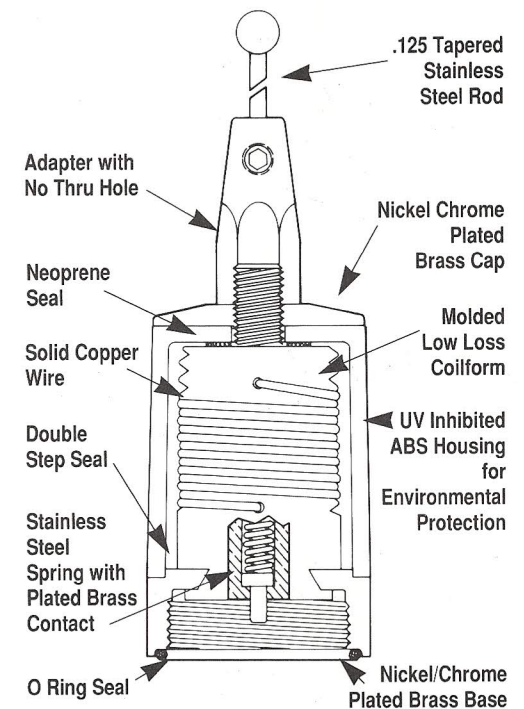
We feel that this is the best performing antenna built for Citizen Band mobile operation.

We guarantee your satisfaction with this product. You may return it within 30 days for a full refund if it fails to perform as expected. This antenna is also covered under the standard Comtelco warranty which provides for repair or replacement of any antenna that fails due to faulty material or workmanship for 6 months from the date of purchase.

This antenna is designed to be used with the Comtelco MGAS magnet mount, the Comtelco TKAL trunk mount, or the Comtelco C style roof mount.

Installation instructions for the C style roof mount is on the reverse side of this instruction sheet.

* This antenna will mount on any existing NMO, or TAD/TAE standard Motorola type mount.



COMTELCO INDUSTRIES INC. 501 MITCHELL RD. GLENDALE HTS, IL 60139

1-800-634-4622