

406-512 MHz 2.5dBd Gain

FOLDED DIPOLE

Reliable Performance: Rated at 250 watts and 2.5dBd gain, you can expect years of continuous service. Available in either 1/4 wave or 1/2 wave configurations.

Rugged Construction: The radiating elements are black anodized and the mast is epoxy powder coated heavywall aluminum.

Weatherproof: The feed line harness is contained inside the mast.

Lightweight: These antennas are lightweight at less than 8 lbs. but are designed to easily withstand winds of over 100 MPH.

Simple installation: Various types of mounting hardware such as tower standoffs and BSLMNT2s are available but should be ordered separately.



ELECTRICAL SPECIFICATIONS:

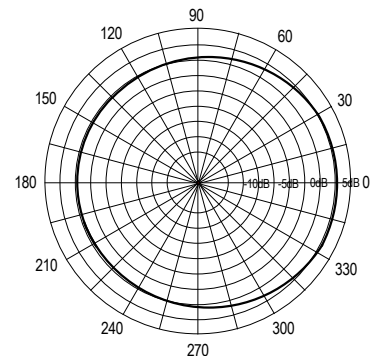
FREQUENCY:	406-512MHz
GAIN:	2.5 dBd
VSWR:	<1.5:1
BANDWIDTH:	106 MHz
POWER RATING:	100 watts
IMPEDANCE:	50 ohms
VERT BEAMWIDTH:	70°
PROTECTION:	DC Ground

MECHANICAL SPECIFICATIONS:

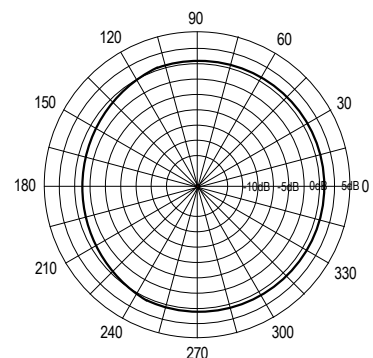
MAST DIAMETER:	1.9"
TERMINATION:	Male N standard
LENGTH:	60"
WIDTH:	22".
WEIGHT:	7 lbs.
FLAT PLATE AREA:	.5 ft ²
WIND RATING:	150 MPH
WIND LOAD:	30 lbs.

HORIZONTAL PATTERNS

1/4 WAVE



1/2 WAVE



VERTICAL PATTERN

