

406-512 MHz 2.5dBd Gain

FOLDED DIPOLE

Reliable Performance: Rated at 250 watts and 2.5dBd gain, you can expect years of continuous service. Available in either 1/4 wave or 1/2 wave configurations.

Rugged Construction: The radiating element and support arm are black anodized aluminum.

Lightweight: These antennas are lightweight at less than 4 lbs. but are designed to easily withstand winds of over 100 MPH.

Simple installation: The included mount is designed to easily mount on a 1.9" diameter (aluminum Schedule 40) mast which is not supplied.

ELECTRICAL SPECIFICATIONS:

FREQUENCY:	406-512MHz
GAIN:	1 - 2.5 dBd
VSWR:	<1.5:1
BANDWIDTH:	106 MHz
POWER RATING:	100 watts
IMPEDANCE:	50 ohms
VERT BEAMWIDTH:	70"
PROTECTION:	DC Ground

MECHANICAL SPECIFICATIONS:

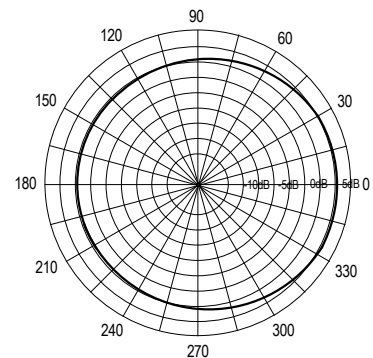
MAST DIAMETER:	1.9" (Recommended)
TERMINATION:	Male N standard
CABLE LENGTH:	5 ft
LENGTH:	60"
WIDTH:	22"
WEIGHT:	7 lbs.
FLAT PLATE AREA:	.5 ft ²
WIND RATING:	150 MPH
WIND LOAD:	26 lbs.



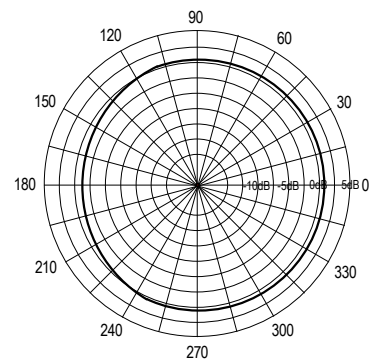
Shown with user supplied mast

HORIZONTAL PATTERNS

1/4 WAVE



1/2 WAVE



VERTICAL PATTERN

