

COMTELCO

Technical Specification

Y221810

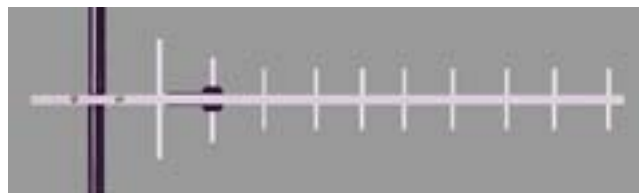
1710/1880 MHz YAGI

YAGI ANTENNA

High Performance: This 10 element yagi antenna provides 10dBd gain with wide band performance.

Rugged and weatherproof: The construction of our standard duty yagis feature aluminum U channel with solid elements. All exposed areas are coated with UV polyester.

Lightweight and Durable: This yagi antenna is easily installed by one person, yet is designed to withstand 100 MPH winds.



Termination Options:

Type A: 12" Teflon pigtail with N connector.

Type B: Direct TNC connection to the balun.

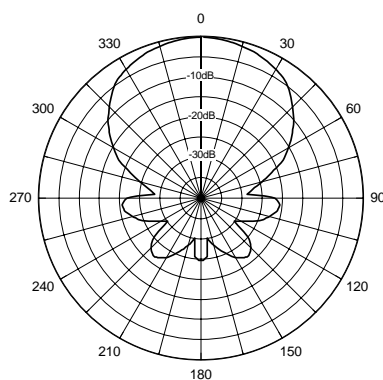
MECHANICAL SPECIFICATIONS

MATERIAL:	1/2" aluminum U channel boom 3/16" solid elements
FINISH:	UV inhibited polyester coat
LENGTH:	27"
WEIGHT:	1 lb.
MOUNTING:	1 5/8" mast maximum
FLAT PLATE AREA:	.119 ft ²
WIND RATING:	125 MPH
WIND LOAD:	7.2 lbs.

ELECTRICAL SPECIFICATIONS

GAIN:	10.dBd
FREQUENCY:	1710-1880MHz
F to B RATIO:	20dB
BANDWIDTH:	170MHz
VSWR:	<2:1
POWER RATING:	150 watts
IMPEDANCE:	50 ohms

Horizontal Pattern



Vertical Pattern

