

COMTELCO

Technical Specification

Y2287

806-960 MHz 10.2dBd Gain

YAGI ANTENNA

High Performance: These antennas provide 10.2dBd, wide band performance.

Rugged and weatherproof: The construction of our standard duty yagis feature 1/2" aluminum U channel with 1/4" solid elements. All exposed areas are coated with UV polyester. The balun assembly is filled and sealed with elastomeric thermoplastic.

Lightweight and Durable: These antennas are easily installed by one person.

Termination Options:

Type A: 12" Teflon pigtail with N connector.

Type B: Direct TNC connection to the balun.

ELECTRICAL SPECIFICATIONS:

GAIN: 10.2dBd F/B 20dB

FREQUENCY:
-06 806-896MHz <2:1 VSWR
-66 866-960MHz <2:1 VSWR
-915 900-930MHz <2:1 VSWR

VERT BEAMWIDTH: 50°

HORIZ BEAM WIDTH: 55°

RATING : 300 watts, 50 ohms impedance

MECHANICAL SPECIFICATIONS:

MATERIAL: 1/2" aluminum U channel boom
1/4" solid elements

FINISH: UV inhibited polyester coat

LENGTH: 26"

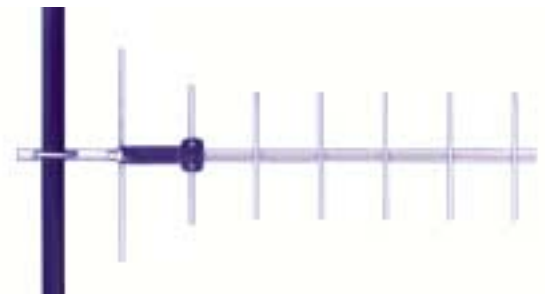
WEIGHT: <2 lbs.

MOUNT: 1 5/8" mast, stainless hardware

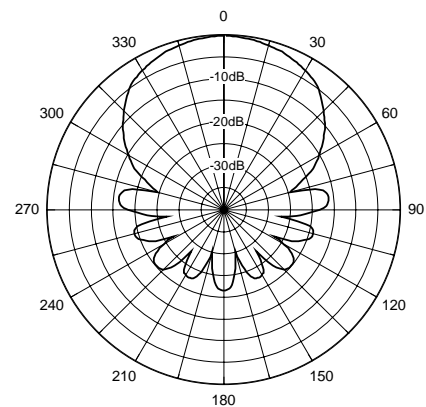
FLAT PLATE AREA: .146 ft²

WIND RATING: 125 MPH

WIND LOAD: 8.8 lbs.



Horizontal Pattern



Vertical Pattern

