

# COMTELCO

## Technical Specification

Y2288WB

### 806-950 MHz 10.2dB Gain

### WIDE BAND YAGI ANTENNA

**High Performance:** This 8 element yagi provides 10.2dBd gain with wide band performance.

**Rugged and weatherproof:** The construction of our standard duty yagis feature 1/2" aluminum U channel with 1/4" solid elements. All exposed areas are powder coated with UV polyester. The balun assembly is filled and sealed with elastomeric thermoplastic.

**Lightweight and Durable:** This yagi antennas is easily installed by one person, yet is designed to withstand 125 MPH winds.

#### Termination Options:

**Type A:** 12" Teflon pigtail with N connector.

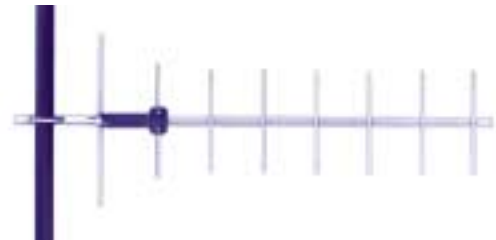
**Type B:** Direct TNC connection to the balun.

#### ELECTRICAL SPECIFICATIONS:

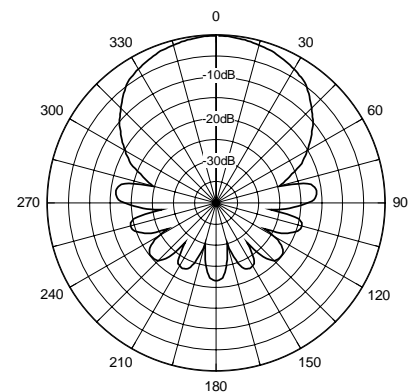
<b>GAIN:</b>	10.2dBd
<b>FREQUENCY:</b>	806-950MHz
<b>F to B RATIO:</b>	20dB
<b>BANDWIDTH:</b>	140MHz
<b>VSWR:</b>	<2:1
<b>HORIZ BEAMWIDTH:</b>	60°
<b>VERT BEAM WIDTH:</b>	46°
<b>POWER RATING :</b>	150 watts
<b>IMPEDANCE:</b>	50 ohms

#### MECHANICAL SPECIFICATIONS:

<b>MATERIAL:</b>	1/2" aluminum U channel boom 3/16" solid elements
<b>FINISH:</b>	UV inhibited powder coat
<b>LENGTH:</b>	29"
<b>WEIGHT:</b>	<2 lbs.
<b>MOUNTING:</b>	1 5/8" mast, stainless hardware
<b>FLAT PLATE AREA:</b>	.163 ft <sup>2</sup>
<b>WIND RATING:</b>	125 MPH
<b>WIND LOAD:</b>	11 lbs.



Horizontal Pattern



Vertical Pattern

