

COMTELCO

Technical Specification

Y33810

806-960 MHz 12.2dB Gain

HEAVY DUTY YAGI ANTENNA

High Performance: This series of antennas provide 12.2dBd, with wide band performance.

Rugged and weatherproof: The construction of our heavy duty yagis feature 1"aluminum U channel with 3/8" solid elements. All exposed areas are coated with UV polyester. The balun assembly is filled and sealed with elastomeric thermoplastic.

Lightweight and Durable: These antennas are easily installed by one person.

Termination Options:

Type A: 12" Teflon pigtail with N connector.

Type B: Direct TNC connection to the balun.

Type D: Direct N connection to the balun.



ELECTRICAL SPECIFICATIONS:

GAIN: 12.2dBd F/B 20dB

FREQUENCY:

-06	806-866MHz	<2:1 VSWR
-25	825-896MHz	<2:1 VSWR
-96	896-960MHz	<2:1 VSWR
-915	900-930MHz	<2:1 VSWR

VERT BEAMWIDTH: 45°

HORIZ BEAM WIDTH: 50°

RATING : 300 watts, 50 ohms impedance

MECHANICAL SPECIFICATIONS:

MATERIAL: 1" aluminum U channel boom
3/8" solid elements

FINISH: UV inhibited polyester coat

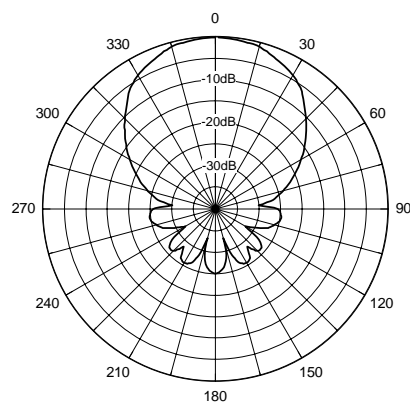
LENGTH: 48"

WEIGHT: <4 lbs.

MOUNT: 2 3/8" mast, stainless hardware

WIND: 125 MPH +

Horizontal Pattern



Vertical Pattern

