

COMTELCO

Technical Specification

Y42700WB

698MHz-2800MHz 8dBd / 10dBi

WIDE BAND YAGI ANTENNA

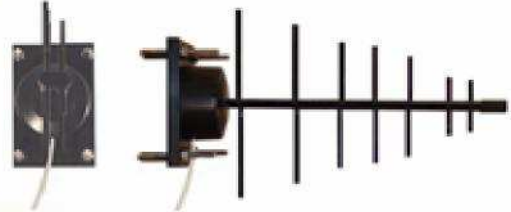
High Performance: This 17 element yagi antenna provides 10dBi / 8dBd gain with excellent wide band performance.

Rugged and weatherproof: Our hybrid radome construction provides excellent weather protection for our driven element. The radome is constructed of UV inhibited ABS. The heavy duty mounting plate is extruded aluminum. Stainless steel V bolts are provided for long term reliability and resistance to corrosion.

Lightweight and Durable: This yagi antenna is easily installed by one person, yet is designed to withstand 125 MPH winds.

Termination Options:

Type A: 12" Teflon pigtail with N connector.



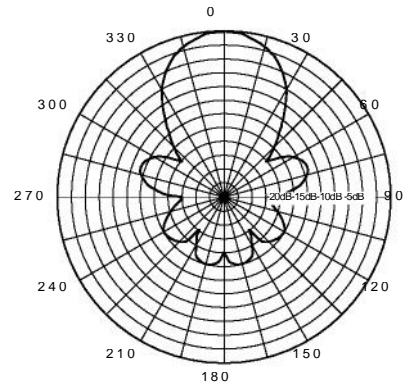
ELECTRICAL SPECIFICATIONS

GAIN: 10dBi / 8dBd
FREQUENCY@
VSWR <2.2:1 698-2800MHz
F to B RATIO: 20dB
VERT BEAMWIDTH: 35°
HORIZ BEAMWIDTH: 30°
POWER RATING: 150 watts
IMPEDANCE: 50 ohms

MECHANICAL SPECIFICATIONS

MATERIAL: Aluminum & Brass booms
3/16" solid elements
RADOME: 3" UV inhibited ABS
LENGTH: 13.5"
HEIGHT: 8"
WEIGHT: 2 lb.
MOUNTING: 2 1/2" mast maximum
FLAT PLATE AREA: .12 ft²
WIND RATING: 125 MPH
WIND LOAD: 8.1 lbs.

Horizontal Pattern



Vertical Pattern

