

COMTELCO

Technical Specification

Y441812 HDSM

1710-1880 MHz YAGI

YAGI ANTENNA

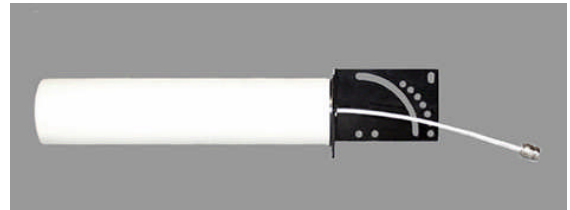
High Performance: This 12 element yagi antenna provides 14dBi gain.

Rugged and weatherproof: The enclosed radome construction provides excellent weather protection. The radome is constructed of UV inhibited ABS. The standard swivel mounting plate allows for tilt and rotational options when mounting. The mount is black powder coated and is supplied with two stainless steel V- bolts and two aluminum V-blocks.

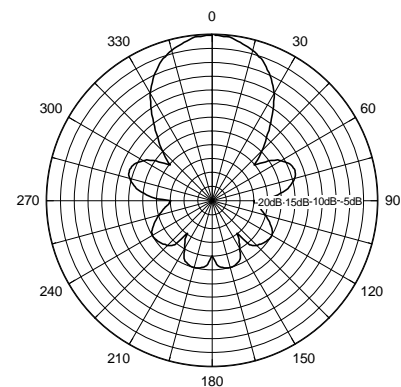
Lightweight and Durable: This yagi antenna is easily installed by one person, yet is designed to withstand 125 MPH winds.

Termination Options:

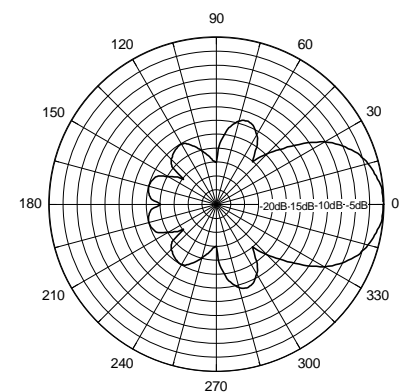
Type A: 12" Teflon pigtail with N connector.



Horizontal Pattern



Vertical Pattern



ELECTRICAL SPECIFICATIONS

GAIN:	14dBi / 12dBd
FREQUENCY:	1710-1880MHz
F to B RATIO:	20dB
BANDWIDTH:	170MHz
VSWR:	<2:1
VERT BEAMWIDTH:	35°
HORIZ BEAMWIDTH:	38°
POWER RATING:	150 watts
IMPEDANCE:	50 ohms

MECHANICAL SPECIFICATIONS

MATERIAL:	1/2" aluminum U channel boom 3/16" solid elements
RADOME:	UV inhibited ABS
LENGTH:	19"
WEIGHT:	2 lb.
MOUNTING:	2 1/2" mast maximum
FLAT PLATE AREA:	.26 ft ²
WIND RATING:	125 MPH
WIND LOAD:	17.6 lbs.