

COMTELCO

Technical Specification

Y442416

2400/2500 MHz

YAGI ANTENNA

High Performance: This 16 element yagi provides 14.5dBi / 12.5dBd gain.

Rugged and weatherproof: Our radome construction provides excellent weather protection for our solid element U channel yagi antennas. The radome is constructed of UV inhibited ABS. The heavy duty mounting plate is extruded aluminum. Stainless steel V bolts are provided for long term reliability and resistance to corrosion.



Lightweight and Durable: This yagi antenna is easily installed by one person, yet is designed to withstand 125 MPH winds.

Termination Options:

Type A: 12" Teflon pigtail with N connector.

MECHANICAL SPECIFICATIONS

MATERIAL: 1/2" aluminum U channel boom
3/16" solid elements

RADOME: 3" UV inhibited ABS

LENGTH: 18"

WEIGHT: 2 lb.

MOUNTING: 2 1/2" mast maximum

FLAT PLATE AREA: .26 ft²

WIND RATING: 125 MPH

WIND LOAD: 17.6 lbs.

ELECTRICAL SPECIFICATIONS

GAIN: 14.5dBi / 12.5dBd

FREQUENCY: 2400-2500MHz

F to B RATIO: 20dB

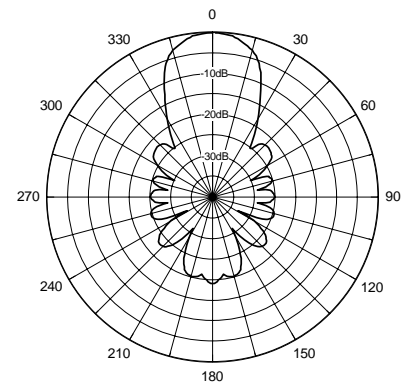
BANDWIDTH: >100MHz

VSWR: 1.5:1

POWER RATING: 150 watts

IMPEDANCE: 50 ohms

Horizontal Pattern



Vertical Pattern

